



Introducing

# MB 55 Motorbase



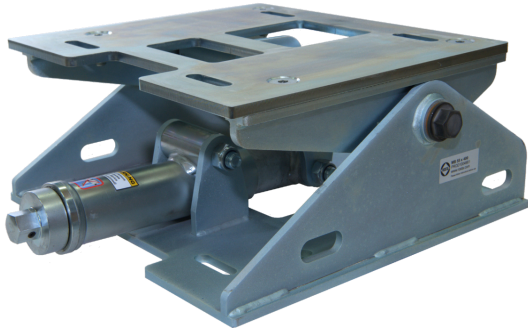
Revolutionize your machinery with our improved design and new features.

Now available in three sizes.  
Reduce costs and maximize efficiency!



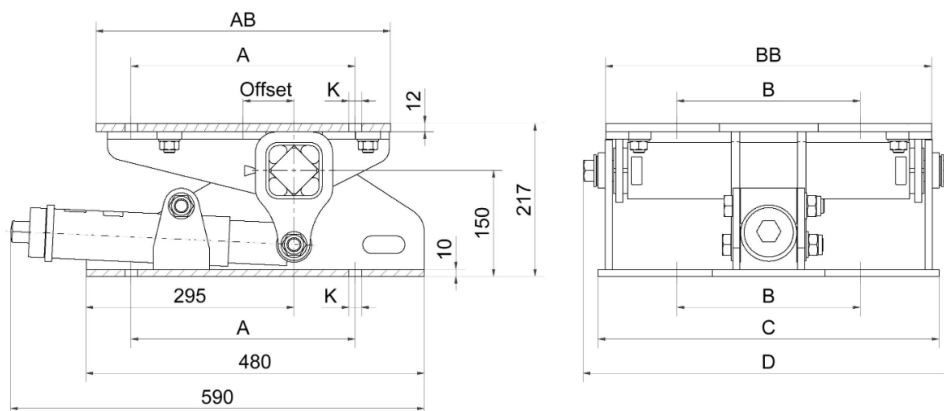
## Features & Benefits

The **MB 55** offers **constant belt tension** and **efficient power transmission** with one time setup and installation. **Just set and forget!**



1. Central pre-tensioning
2. Easy installation and setup
3. Electric motor footprint on top and bottom plate
4. No need to loosen or tighten the side bolts
5. Interchangeable motor plate
6. Motor plate in center or offset position
7. Available in three sizes
8. Hold down bolt spacing matching the previous version

## Technical Details



Art. No.	Type	IEC			NEMA			AB	BB	C	D	Offset	Weight [kg]		
		Motor Frame Size	A	B	K	Motor Frame Size	A							B	K
02 202 501	<b>MB 55 × 270</b>	160M	254	210	14	254T	254	210	14	405	385	406	448	84	54
		160L	254	254	14	256T	254	254	14					84	
		180M	279	241	14	284T	279	241	14					72	
		180L	279	279	14	286T	279	279	14					72	
02 202 502	<b>MB 55 × 400</b>	200L	318	305	18	324T	318	267	18	418	463	484	526	72	63
			326T	318	305	18	72								
02 202 503	<b>MB 55 × 500</b>	225S	356	286	18	364T	356	286	18	466	563	584	626	72	74
		225M	356	311	18	365T	356	311	18					72	



FOR MORE  
INFORMATION

For pricing and availability contact ROSTA:

Phone: 1300 169 881

Email: [sales.aus@rosta.com](mailto:sales.aus@rosta.com)



CHECK IT OUT  
ON YOUTUBE