

Made to order

CORROSION-RESISTANT STAINLESS STEEL POWERED TUG



Designed for environments where washdowns are frequent, and hygiene is paramount.

Electrodrive's **Stainless Steel Tug Axis 2T** is a battery-powered tug, for safely moving loads up to 2,000 kg.

Manufactured from high-quality grade 304 stainless steel to endure frequent cleaning and sanitisation, this tug boasts non-corrosive properties, making it ideal for the demands of a wet or humid environment.

Designed with an ergonomic tiller control, the user is placed in front-of-the-load for maximum forward visibility.

Typical applications

Suitable for use in the following industries:

- Food, beverage and pharmaceutical manufacturing and distribution.
- Hospitals, medical facilities, laboratories or veterinarian surgeries.
- Commercial kitchens/hospitality.
- Laundries or linen.



Order code: SIE0605



Why choose Electrodrive's Stainless Steel Tug Axis?



Australian made

Designed and manufactured in Sunshine, Victoria, Electrodrive's range of tugs come with a comprehensive 12-month warranty.



Hygienic design

The smooth surface of stainless steel is easy to clean and sanitise, which is crucial in industries like food and pharmaceuticals where strict hygiene standards are a top priority to meet regulatory requirements.



Corrosion-resistance

In environments where chemicals or cleaning agents are frequently used during washdowns and sanitisation, the stainless-steel construction ensures resistance to corrosion. This eliminates the risk of particles from corroded materials contaminating critical work environments, particularly in the food/beverage production environment.



Manoeuvrability and efficiency

Electric tugs are highly manoeuvrable and easy to steer, making them suitable for efficiently moving items around tight spaces.



Zero emissions

As powered tugs are battery operated (and rechargeable), they produce zero emissions at the point of use. This can be advantageous in enclosed spaces and environments where air quality is critical, such as food/beverage manufacturing and laboratories.



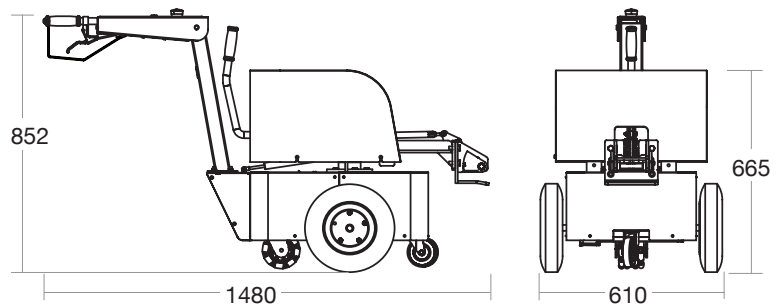
Safety features

Built-in safety features include: Intuitive control with standard automatic safety brake, forward and reverse drive; emergency stop button, and emergency back-off button.



Local servicing and maintenance

Preventative maintenance plans are available to keep your tug working at optimal condition.



Visit our website for more information

Contact us for a free demo or site assessment.

Scan the QR code to visit our website: www.electrodrive.com.au



SOLUTIONS TO SAFELY **PUSH, PULL & LIFT**

www.fallshawgroup.com.au

Sales: 1300 934 471 (within Australia) or +61 3 9300 8555 (outside Australia) | sales@fallshaw.com.au

Accounts: +61 3 9300 8527

